

FPS



SVM HIGH CAPACITY 4" Submersible Pumps

SVM 4" PUMP SERIES - HIGH CAPACITY

Features.....	4
Applications.....	4
SVM 150	5
Ordering Information.....	5
Dimensions.....	5
Performance Curve.....	6
Material List.....	7
SVM 200	8
Ordering Information.....	8
Dimensions.....	8
Performance Curve.....	9
Material List.....	10
SVM 240	11
Ordering Information.....	11
Dimensions.....	11
Performance Curve.....	12
Material List.....	13
SVM 285.....	14
Ordering Information.....	14
Dimensions.....	14
Performance Curve.....	15
Material List.....	16
SVM 400	17
Ordering Information.....	17
Dimensions.....	17
Performance Curve.....	18
Material List.....	19

For the most up-to-date product information, visit franklinwater.com.

SVM HIGH CAPACITY

APPLICATIONS

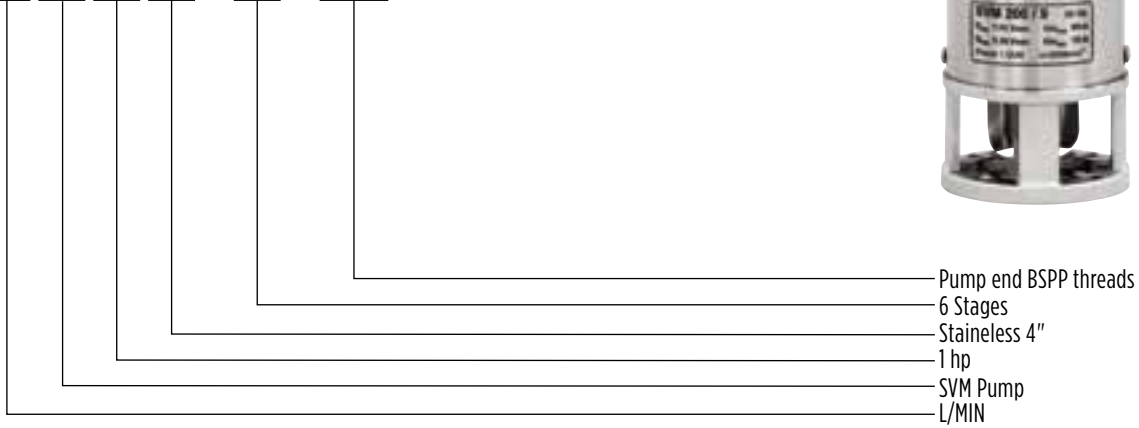
- The FPS SVM High Capacity pump is engineered for commercial, irrigation, and residential use.
- Design advancements reduce efficiency losses caused by internal pump leakage and abrasives.

FEATURES

- 5 performance ranges: 150, 200, 240, 285, 400 LPM.
- Stainless steel discharge head and motor bracket.
- High flow impellers and stages are polycarbonate for maximum efficiency.
- Stainless steel pump shaft, shell, and shaft coupling.
- Powered by Franklin Electric's corrosion-resistant 4" submersible motor.
- 2" BSPP discharge threads.
- Internal check valve included.

MODEL NOMENCLATURE

150 **FM** **1** **S4** — **06** — **PEXB**

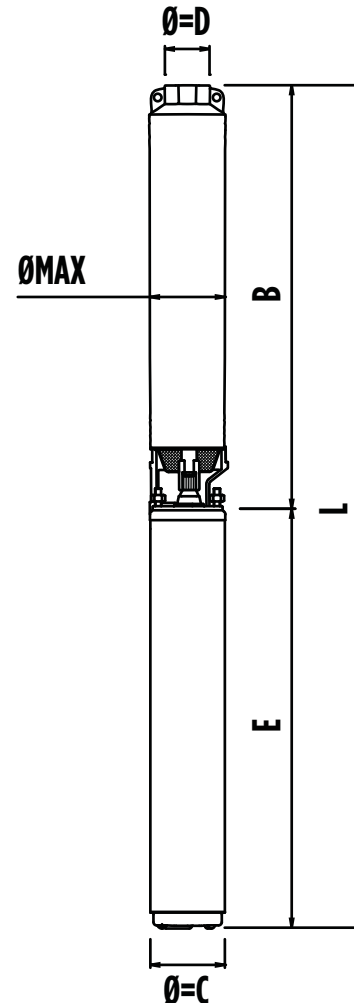


SVM 150 - DIMENSIONS

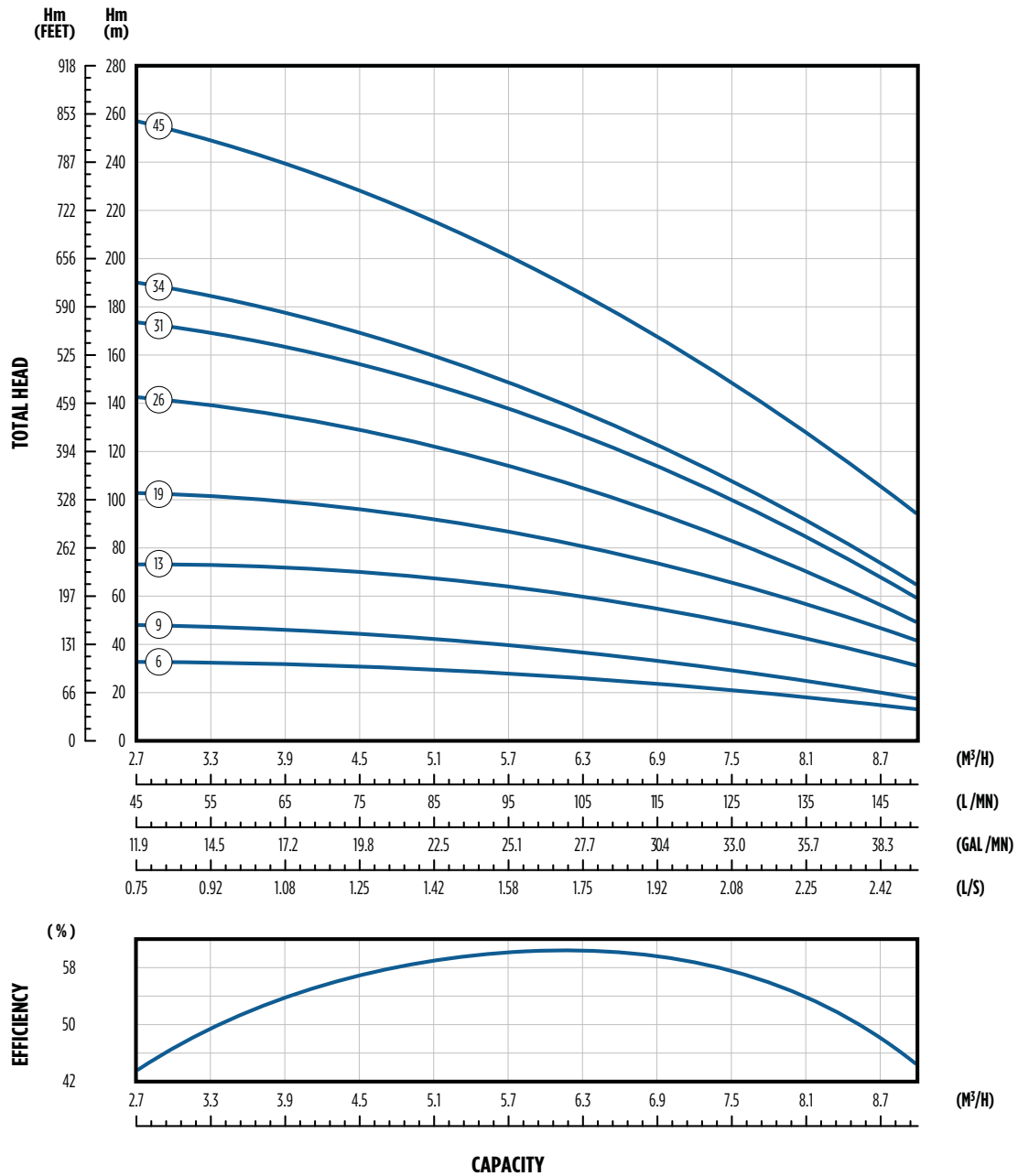
PUMP TYPE	MOTOR		DIMENSIONS (mm)								WEIGHT (kg)				
			1-	3-	1-	3-				1-	3-	1-	3-		
	HP	Kw	L	L	E	E	B	$\phi = C$	$\phi = D$	$\phi = MAX$	Motor		Pump	Total	Total
SVM 150/06	1	0.75	756	736	386	366	370	93	2"	95	9.7	8.8	2.9	12.6	11.7
SVM 150/09	1.5	1.1	891	846	431	386	460	93	2"	95	11.6	9.7	3.6	15.2	13.3
SVM 150/13	2	1.5	1086	1041	476	431	610	93	2"	95	13.5	11.6	4.8	18.3	16.4
SVM 150/19	3	2.2	1329	1309	509	489	820	93	2"	95	14.7	13.9	6.6	21.3	20.5
SVM 150/26	4	3	-	1578	-	548	1030	93	2"	95	-	17.6	7.9	-	25.5
SVM 150/31	5	3.7	-	1838	-	618	1220	93	2"	95	-	20.9	9.3	-	30.2
SVM 150/34	5.5	4	-	1923	-	618	1305	93	2"	95	-	20.9	9.9	-	30.8
SVM 150/45	7.5	5.5	-	2323	-	688	1635	93	2"	95	-	24	12.8	-	36.8

SVM 150 - ORDERING INFORMATION

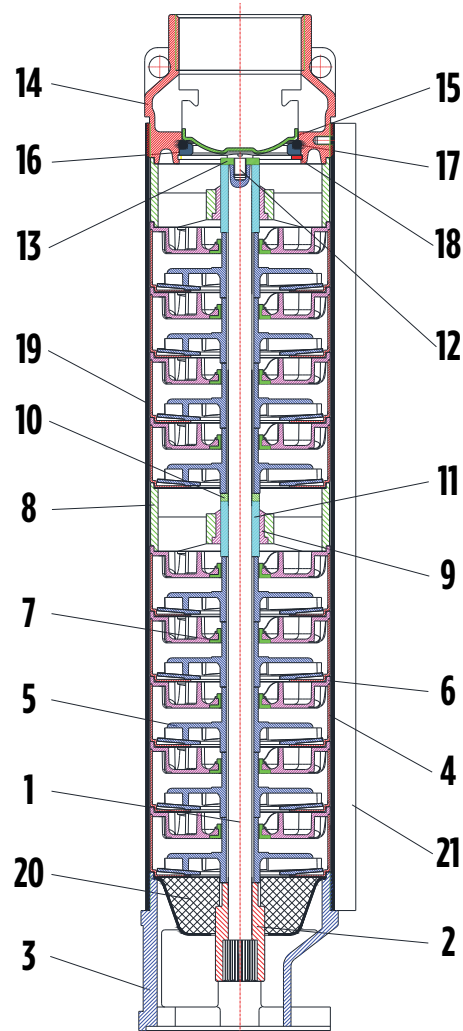
LPM	HP	Kw	Stages	Model Description	Order No.
150	1	0.75	6	150FM1S4-06-PEXB	95814006
	1.5	1.1	9	150FM1S4-09-PEXB	95814009
	2	1.5	13	150FM2S4-13-PEXB	95814013
	3	2.2	19	150FM3S4-19-PEXB	95814019
	4	3	26	150FM4S4-26-PEXB	95814026
	5	3.7	31	150FM5S4-31-PEXB	95814031
	5.5	4	34	150FM6S4-34-PEXB	95814034
	7.5	5.5	45	150FM7S4-45-PEXB	95814045



SVM 150 - PERFORMANCE CURVE



Pump Type	Motor		gpm	0	11.9	13.2	14.5	15.9	18.5	21.1	23.8	26.4	30.8	31.7	35.2	37.0	39.6
	HP	Kw	l/s	0	0.75	0.83	0.92	1	1.17	1.33	1.5	1.67	1.94	2.00	2.22	2.33	2.50
			m³/h	0	2.7	3	3.3	3.6	4.2	4.8	5.4	6	7	7.2	8	8.4	9
SVM 150/06	1	0.75	Head In Meters (m)	35	33	33	32	32	31	30	29	27	23	23	19	16	13
SVM 150/09	1.5	1.1		52	48	48	47	47	45	43	41	38	33	32	26	21	18
SVM 150/13	2	1.5		78	74	73	73	72	71	68	65	62	55	53	45	37	31
SVM 150/19	3	2.2		109	103	102	102	100	98	94	89	86	73	70	60	51	41
SVM 150/26	4	3		151	142	141	139	138	133	125	118	108	93	89	74	64	48
SVM 150/31	5	3.7		185	173	172	170	167	160	152	141	130	112	109	90	78	56
SVM 150/34	5.5	4		201	188	187	185	183	176	165	154	139	120	116	95	84	64
SVM 150/45	7.5	5.5		268	253	252	249	247	237	225	212	192	161	154	129	117	99

SVM 150 - MATERIAL LIST


MATERIAL LIST			
NO.	JDE Code	Part Name	Material
1	A*	Shaft	Stainless steel (AISI 304)
2	100611841100600	Coupling	Stainless steel (AISI 304)
3	197611640000609	Support	Stainless steel (AISI 304)
4	100610444080609	Body	Stainless steel (AISI 304 - AISI 430)
5	100411244060709	Impeller	Polycarbonate
6	100610844080709	Diffuser	Noryl
7	100614441100700	Bearing	Resin
8	100613640000709	Bearing housing	Resin
9	100613840000709	Bearing	Resin
10	100614240005709	Bushing	Polycarbonate
11	100614042011600	Bushing	Stainless steel (AISI 316)

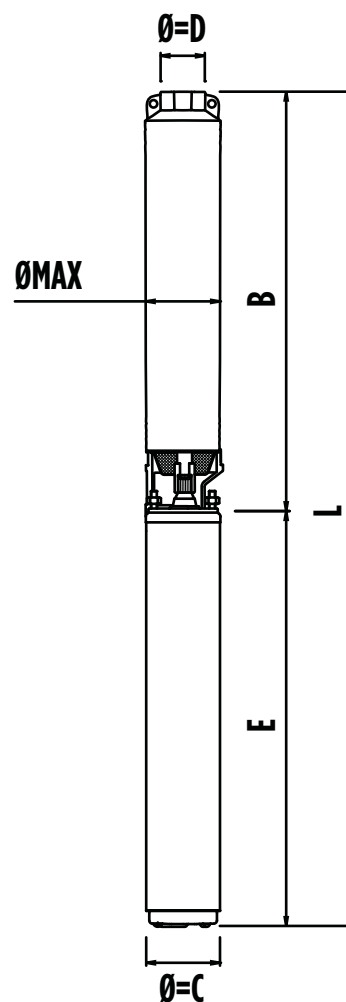
MATERIAL LIST			
NO.	JDE Code	Part Name	Material
12	100615840000600	Screw	Stainless steel (AISI 304)
13	100616040000600	Washer	Stainless steel (AISI 316)
14	197611042001609	Discharge 2" 11 TPI	Stainless steel (AISI 304)
15	100615040000609	Check valve disc	Stainless steel (AISI 304)
16	100612640000600	Check valve ring	Stainless steel (AISI 420)
17	100615640000700	Check valve ring o-ring	Rubber
18	100614940000600	Check valve snap ring	Stainless steel (AISI 304)
19	A*	Housing	Stainless steel (AISI 304)
20	100612840000609	Strainer	Stainless steel (AISI 304)
21	A*	Cable guard	Stainless steel (AISI 304)

SVM 200 - DIMENSIONS

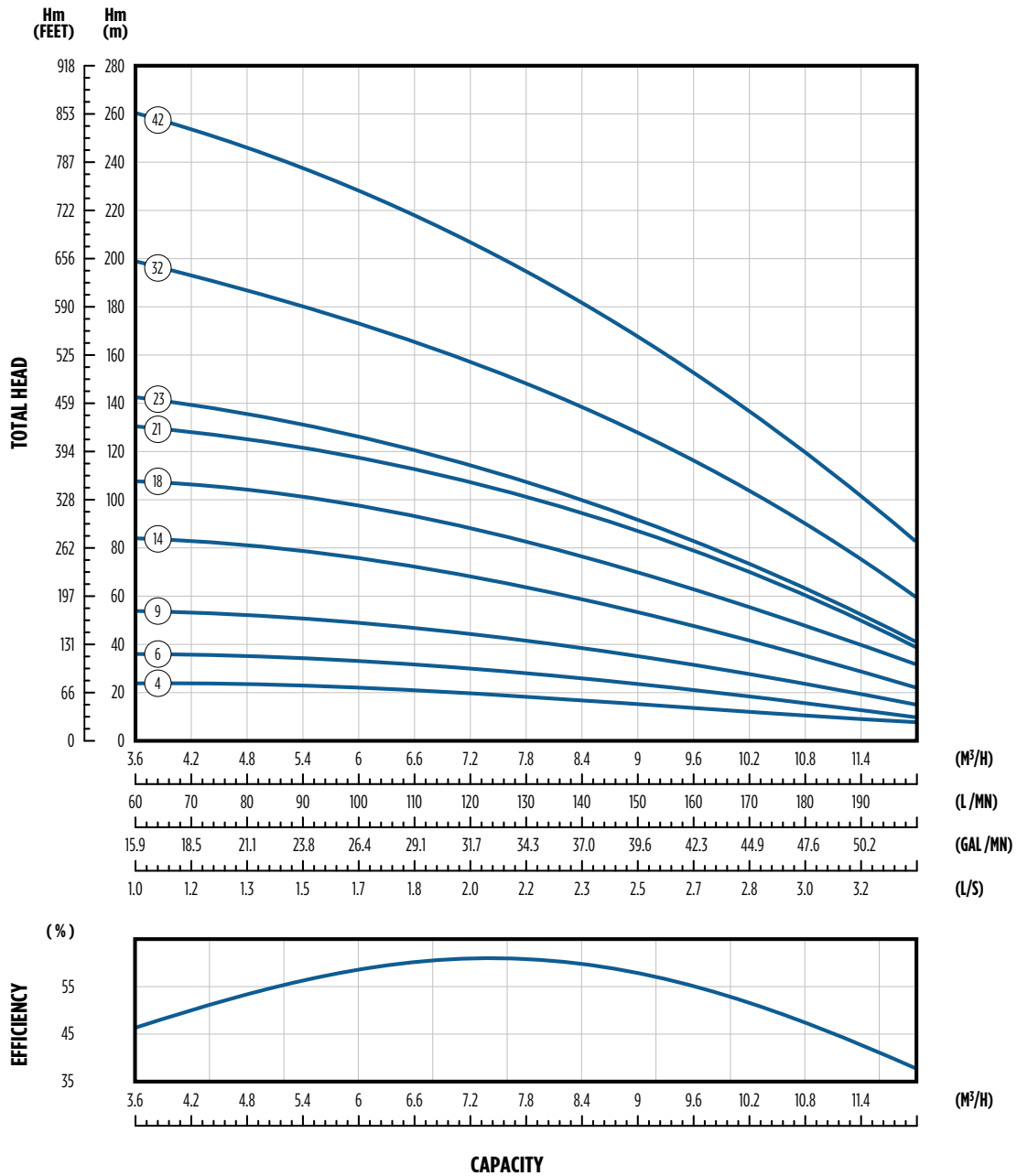
PUMP TYPE	MOTOR		DIMENSIONS (mm)								WEIGHT (kg)				
			1-	3-	1-	3-	B	$\varnothing = C$	$\varnothing = D$	$\varnothing = MAX$	1-	3-	Pump	1-	3-
	HP	Kw	L	L	E	E					Motor	Total		Total	
SVM 200/04	1	0.75	696	676	386	366	310	93	2	95	9.7	8.8	2.6	12.3	11.4
SVM 200/06	1.5	1.1	801	756	431	386	370	93	2	95	11.6	9.7	2.9	14.5	12.6
SVM 200/09	2	1.5	936	891	476	431	460	93	2	95	13.5	11.6	3.6	17.1	15.2
SVM 200/14	3	2.2	1149	1129	509	489	640	93	2	95	14.7	13.9	4.9	19.6	18.8
SVM 200/18	4	3	-	1313	-	548	765	93	2	95	-	17.6	6	-	23.6
SVM 200/21	5	3.7	-	1503	-	618	885	93	2	95	-	20.9	6.9	-	27.8
SVM 200/23	5.5	4	-	1563	-	618	945	93	2	95	-	20.9	7	-	27.9
SVM 200/32	7.5	5.5	-	1933	-	688	1245	93	2	95	-	24	9.2	-	33.2
SVM 200/42	10	7.5	-	2340	-	768	1572	93	2	95	-	28	11.6	-	39.6

SVM 200 - ORDERING INFORMATION

LPM	HP	Kw	Stages	Model Description	Order No.
200	1	0.75	4	200FM1S4-04-PEXB	95815304
	1.5	1.1	6	200FM1S4-06-PEXB	95815306
	2	1.5	9	200FM2S4-09-PEXB	95815309
	3	2.2	14	200FM3S4-14-PEXB	95815314
	4	3	18	200FM4S4-18-PEXB	95815318
	5	3.7	21	200FM5S4-21-PEXB	95815321
	5.5	4	23	200FM6S4-23-PEXB	95815323
	7.5	5.5	32	200FM7S4-32-PEXB	95815332
	10	7.5	42	200FM10S4-42-PEXB	95815342

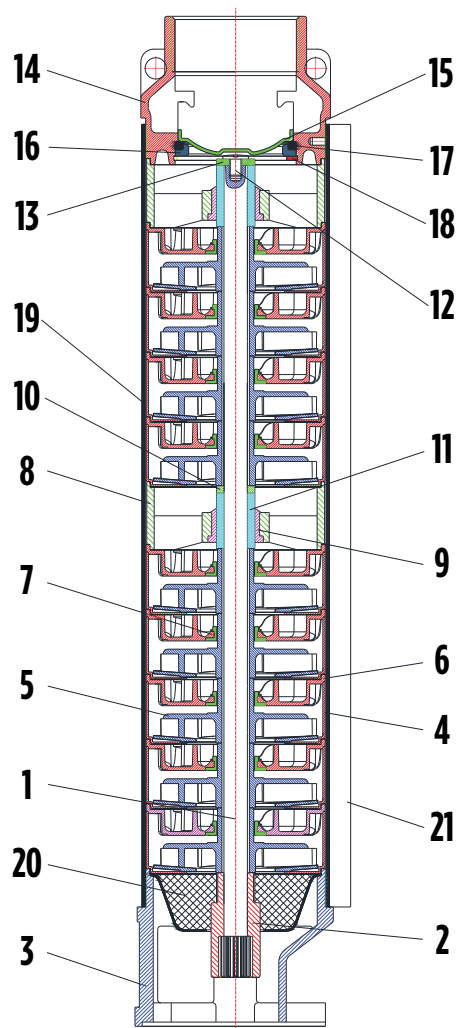


SVM 200 - PERFORMANCE CURVE



Pump Type	Motor		Head In Meters (m)	gpm	0	15.9	18.5	21.1	23.8	26.4	30.8	31.7	35.2	37.0	39.6	42.3	44.5	47.6	52.8
	HP	Kw		l/s	0	1.00	1.17	1.33	1.5	1.67	1.94	2.00	2.22	2.33	2.50	2.67	2.81	3.00	3.33
				m³/h	0	3.6	4.2	4.8	5.4	6	7	7.2	8	8.4	9	9.6	10.1	10.8	12
SVM 200/04	1	0.75		25	24	24	23	23	22	20	20	18	17	15	14	12	10	8	
SVM 200/06	1.5	1.1		38	36	36	35	34	33	31	30	27	26	24	21	19	15	10	
SVM 200/09	2	1.5		57	54	53	52	51	49	45	44	41	39	35	31	28	24	15	
SVM 200/14	3	2.2		88	84	83	81	79	75	70	68	63	59	53	47	42	36	22	
SVM 200/18	4	3		113	108	106	104	101	98	90	88	81	77	69	63	57	47	32	
SVM 200/21	5	3.7		134	130	128	126	122	117	109	106	99	95	88	80	70	60	39	
SVM 200/23	5.5	4		146	142	139	137	132	125	116	114	105	100	92	83	75	63	41	
SVM 200/32	7.5	5.5		201	197	194	189	181	173	158	156	142	142	129	116	105	91	59	
SVM 200/42	10	7.5		266	259	254	247	239	229	210	206	186	185	164	157	140	119	82	

SVM 200 - MATERIAL LIST



MATERIAL LIST			
NO.	JDE Code	Part Name	Material
1	A*	Shaft	Stainless steel (AISI 304)
2	100611841100600	Coupling	Stainless steel (AISI 304)
3	197611640000609	Support	Stainless steel (AISI 304)
4	100610444080609	Body	Stainless steel (AISI 304 - AISI 430)
5	100411244080709	Impeller	Polycarbonate
6	100610844080709	Diffuser	Noryl
7	100614441100700	Bearing	Resin
8	100613640000709	Bearing housing	Resin
9	100613840000709	Bearing	Resin
10	100614240005709	Bushing	Polycarbonate
11	100614042011600	Bushing	Stainless steel (AISI 316)

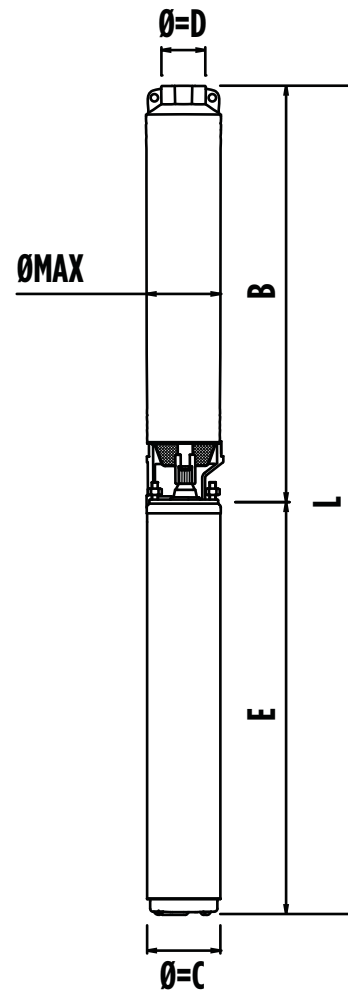
MATERIAL LIST			
NO.	JDE Code	Part Name	Material
12	100615840000600	Screw	Stainless steel (AISI 304)
13	100616040000600	Washer	Stainless steel (AISI 316)
14	197611042001609	Discharge 2" 11 TPI	Stainless steel (AISI 304)
15	100615040000609	Check valve disc	Stainless steel (AISI 304)
16	100612640000600	Check valve ring	Stainless steel (AISI 420)
17	100615640000700	Check valve ring O-ring	Rubber
18	100614940000600	Check valve snap ring	Stainless steel (AISI 304)
19	A*	Housing	Stainless steel (AISI 304)
20	100612840000609	Strainer	Stainless steel (AISI 304)
21	A*	Cable guard	Stainless steel (AISI 304)

SVM 240 - DIMENSIONS

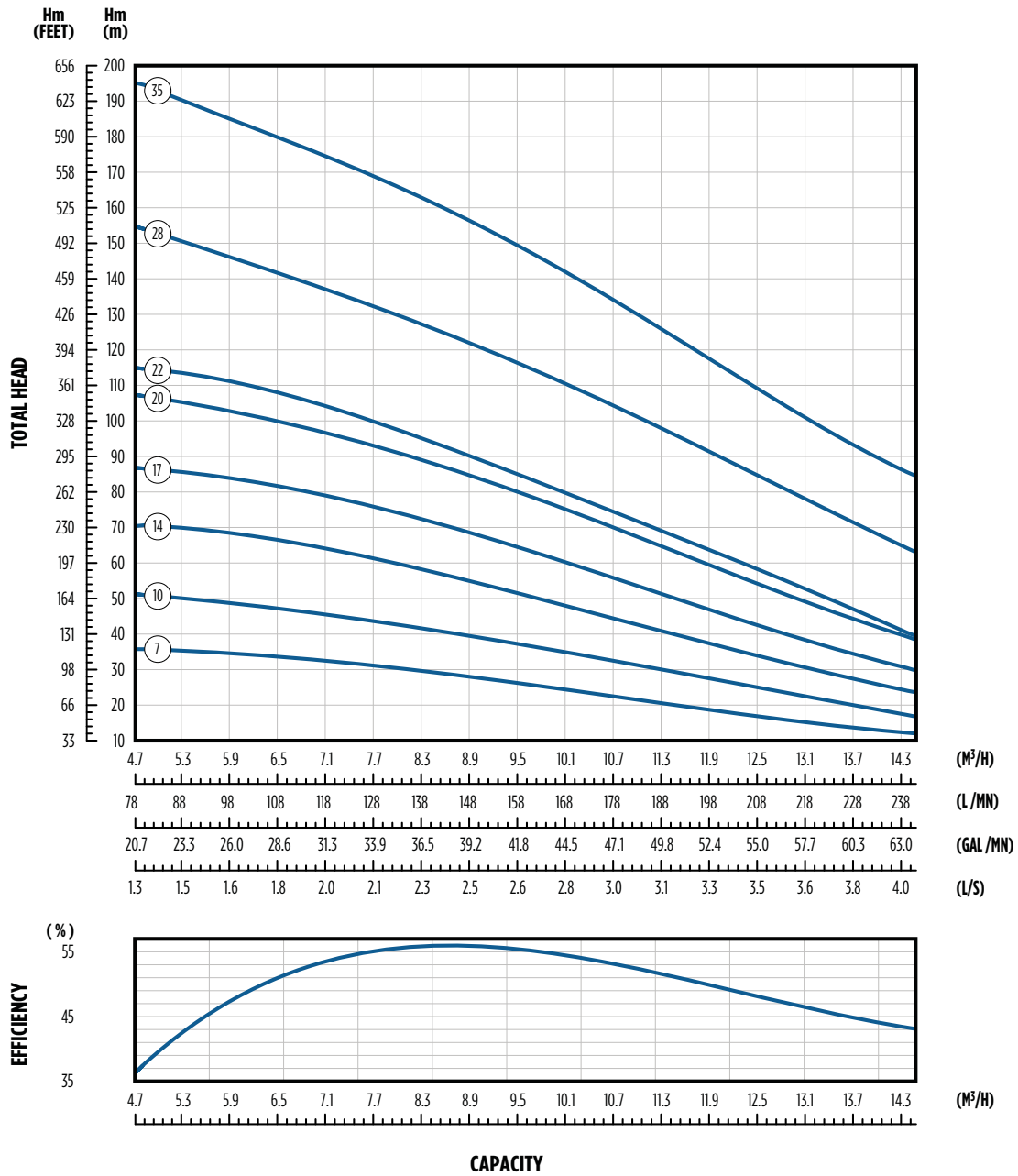
PUMP TYPE	MOTOR		DIMENSIONS (mm)								WEIGHT (kg)				
			1-	3-	1-	3-					1-	3-	1-	3-	
	HP	Kw	L	L	E	E	B	$\phi = C$	$\phi = D$	$\phi = MAX$	Motor		Pump	Total	Total
SVM 240/07	1.5	1.1	930	965	390	425	540	93	2	95	11.6	9.7	3.9	15.5	13.6
SVM 240/10	2.0	1.5	1158	1155	435	432	723	93	2	95	13.5	11.6	5.1	18.6	16.7
SVM 240/14	3	2.2	1407	1419	480	492	927	93	2	95	14.7	13.9	6.9	21.6	20.8
SVM 240/17	4	3	-	1658	-	548	1110	93	2	95	-	17.6	8.2	-	25.8
SVM 240/20	5	3.7	-	1881	-	618	1263	93	2	95	-	20.9	9.7	-	30.6
SVM 240/22	5.5	4	-	2013	-	618	1395	93	2	95	-	20.9	10.7	-	31.6
SVM 240/28	7.5	5.5	-	2389	-	688	1701	93	2	95	-	24	13	-	37
SVM 240/35	10	7.5	-	2856	-	768	2088	93	2	95	-	28	16	-	44

SVM 240 - ORDERING INFORMATION

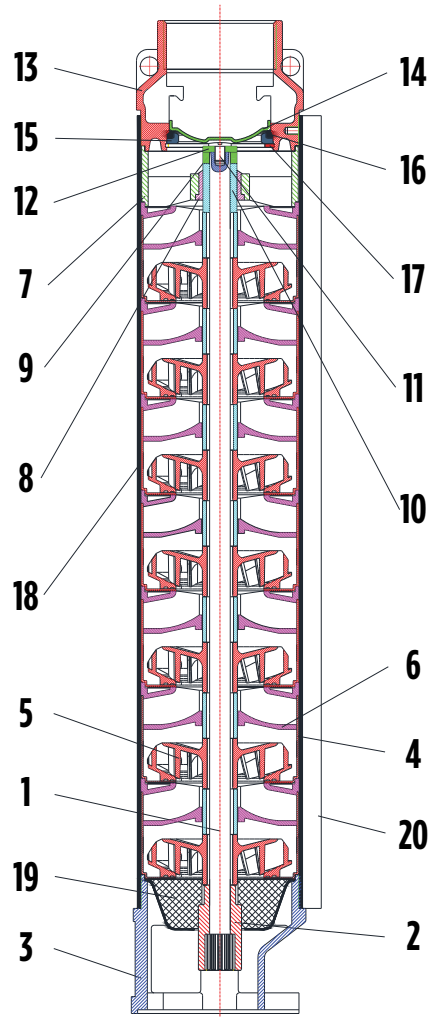
LPM	HP	Kw	Stages	Model Description	Order No.
240	1.5	1.1	7	240FM15S4-07-PEXB	95816307
	2	1.5	10	240FM12S4-10-PEXB	95816310
	3	2.2	14	240FM3S4-14-PEXB	95816314
	4	3	17	240FM4S4-17-PEXB	95816317
	5	3.7	20	240FM5S4-20-PEXB	95816320
	5.5	4	22	240FM6S4-22-PEXB	95816322
	7.5	5.5	28	240FM7S4-28-PEXB	95816328
	10	7.5	35	240FM10S4-35-PEXB	95816335



SVM 240 - PERFORMANCE CURVE



Pump Type	Motor		gpm	0	21.1	23.8	30.8	31.7	35.2	37.0	39.6	42.3	44.5	47.6	52.8	57.2	58.1	61.6	63.4
	HP	Kw	l/s	0	1.33	1.5	1.94	2.00	2.22	2.33	2.50	2.67	2.81	3.00	3.33	3.61	3.67	3.89	4
			m³/h	0	4.8	5.4	7	7.2	8	8.4	9	9.6	10.1	10.8	12	13	13.2	14	14.4
SVM 240/07	1.5	1.1	Head In Meters (m)	40	36	35	33	32	31	29	28	26	24	22	18	16	15	13	12
SVM 240/10	2.0	1.5		56	51	50	46	45	43	41	39	37	35	32	27	23	22	19	17
SVM 240/14	3	2.2		78	71	69	65	64	60	57	54	51	48	44	37	31	30	26	24
SVM 240/17	4	3		96	87	85	79	79	75	72	67	64	60	55	46	39	38	33	30
SVM 240/20	5	3.7		116	107	105	97	96	91	89	83	80	75	69	58	50	49	42	39
SVM 240/22	5.5	4		126	115	113	105	103	98	95	89	84	80	73	62	54	53	44	40
SVM 240/28	7.5	5.5		165	154	150	138	136	131	124	121	117	111	102	90	79	78	68	64
SVM 240/35	10	7.5		210	195	189	175	173	165	164	156	148	141	132	116	103	100	90	85

SVM 240 - MATERIAL LIST


MATERIAL LIST			
NO.	JDE Code	Part Name	Material
1	-	Shaft	Stainless steel (AISI 304)
2	100611841200600	Coupling	Stainless steel (AISI 304)
3	197611640000609	Support	Stainless steel (AISI 304)
4	100610444120609	Body	Stainless steel (AISI 304 - AISI 430)
5	100411244090709	Impeller	Polycarbonate
6	100410844120709	Diffuser	Noryl
7	100613640000709	Bearing housing	Resin
8	100613840000709	Bearing	Resin
9	100614240024709	Bushing	Polycarbonate
10	100614042012600	Bushing	Stainless steel (AISI 316)

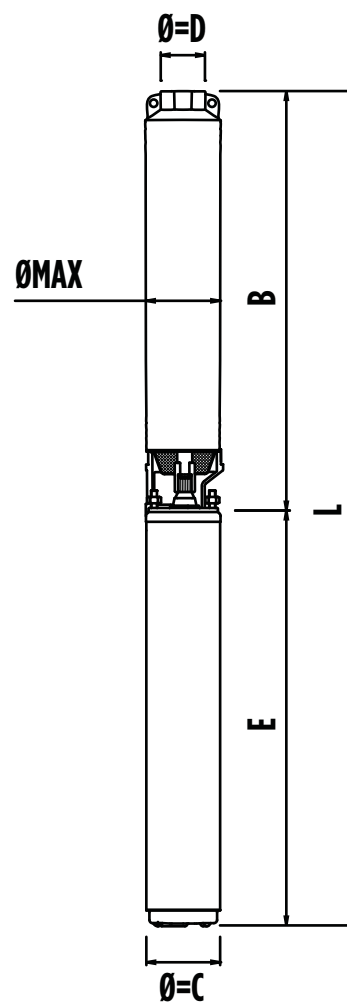
MATERIAL LIST			
NO.	JDE Code	Part Name	Material
11	100615840000600	Screw	Stainless steel (AISI 304)
12	100616040000600	Washer	Stainless steel (AISI 316)
13	197611042001609	Discharge 2" 11 TPI	Stainless steel (AISI 304)
14	100615040000609	Check valve disc	Stainless steel (AISI 304)
15	100612640000600	Check valve ring	Stainless steel (AISI 420)
16	100615640000700	Check valve ring O-ring	Rubber
17	100614940000600	Check valve snap ring	Stainless steel (AISI 304)
18	-	Housing	Stainless steel (AISI 304)
19	100612840000609	Strainer	Stainless steel (AISI 304)
20	-	Cable guard	Stainless steel (AISI 304)

SVM 285 - DIMENSIONS

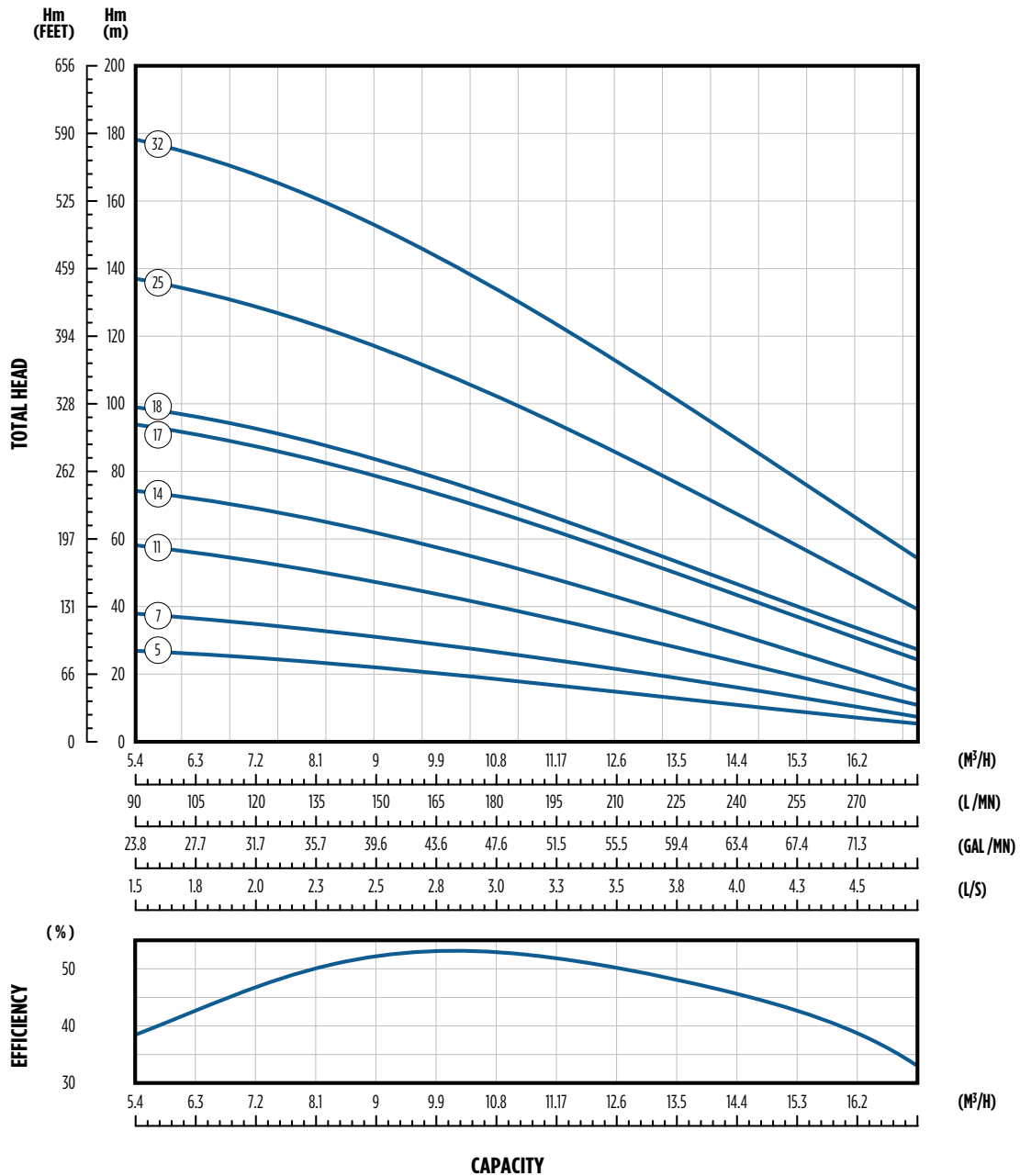
PUMP TYPE	MOTOR		DIMENSIONS (mm)								WEIGHT (kg)				
			1-	3-	1-	3-				1-	3-				
	HP	Kw	L	L	E	E	B	$\phi = C$	$\phi = D$	$\phi = MAX$	Motor		Pump	Total	Total
SVM 285/05	1.5	1.1	871	826	431	386	440	93	2	95	11.6	9.7	3.4	15	13.1
SVM 285/07	2	1.5	1016	971	476	431	540	93	2	95	13.5	11.6	4	17.5	15.6
SVM 285/11	3	2.2	1279	1259	509	489	770	93	2	95	14.7	14	5.75	20.5	19.7
SVM 285/14	4	3	-	1468	-	548	920	93	2	95	-	17.6	6.9	-	24.5
SVM 285/17	5	3.7	-	1718	-	618	1100	93	2	95	-	20.9	8.1	-	29
SVM 285/18	5.5	4	-	1768	-	618	1150	93	2	95	-	20.9	8.5	-	29.4
SVM 285/25	7.5	5.5	-	2223	-	688	1535	93	2	95	-	24	11.3	-	35.3
SVM 285/32	10	7.5	-	2683	-	768	1915	93	2	95	-	28	14.4	-	42.4

SVM 285 - ORDERING INFORMATION

LPM	HP	Kw	Stages	Model Description	Order No.
285	1.5	1.1	5	285FM15S4-05-PEXB	95817505
	2	1.5	7	285FM25S4-07-PEXB	95817507
	3	2.2	11	285FM35S4-11-PEXB	95817511
	4	3	14	285FM45S4-14-PEXB	95817514
	5	3.7	17	285FM55S4-17-PEXB	95817517
	5.5	4	18	285FM65S4-18-PEXB	95817518
	7.5	5.5	25	285FM75S4-25-PEXB	95817525
	10	7.5	32	285FM10S4-32-PEXB	95817532

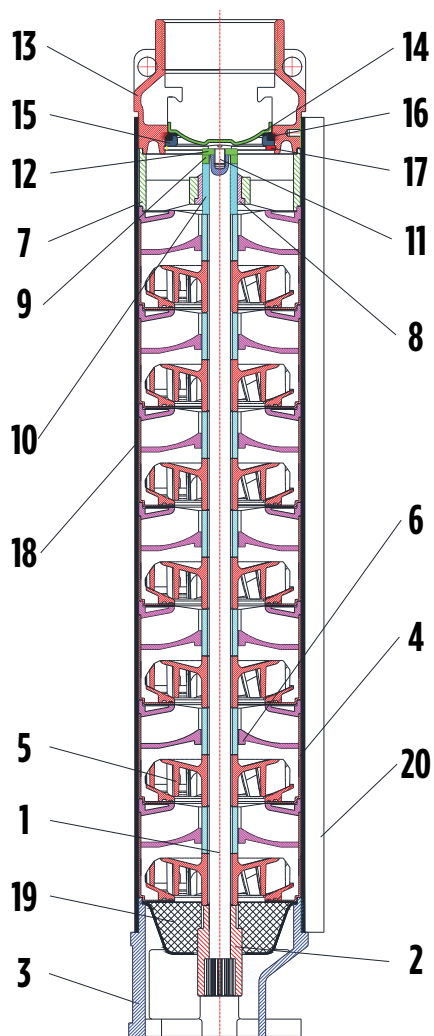


SVM 285 - PERFORMANCE CURVE



Pump Type	Motor		gpm	0	23.8	26.4	30.8	31.7	35.2	37.0	39.6	42.3	44.5	47.6	52.8	57.2	58.1	61.6	63.4	68.7	70.5	74.0	74.9	
	HP	Kw		l/s	0	1.50	1.67	1.94	2	2.22	2.33	2.5	2.67	2.81	3.00	3.33	3.61	3.67	3.89	4.00	4.3	4.4	4.7	4.7
				m³/h	0	5.4	6	7	7	8	8	9.0	10	10.1	10.8	12.0	13	13	14	14	15.6	16	16.8	17
SVM 285/05	1.5	1.1	Head In Meters (m)	30	27	26	25	25	24	23	22	21	20	18	16	13	13	12	11	9	8	6	5	
SVM 285/07	2	1.5		42	38	37	35	35	33	32	31	30	28	27	23	20	19	17	16	12	11	8	7	
SVM 285/11	3	2.2		64	58	57	54	53	51	49	47	45	43	40	34	30	29	25	23	18	16	12	11	
SVM 285/14	4	3		82	74	73	70	69	66	64	61	59	57	53	46	39	39	34	31	25	22	16	15	
SVM 285/17	5	3.7		101	94	92	88	87	84	81	79	75	73	68	59	52	51	46	42	36	32	26	23	
SVM 285/18	5.5	4		107	99	97	93	93	89	87	83	80	77	72	63	56	55	49	45	39	35	29	26	
SVM 285/25	7.5	5.5		150	138	134	129	128	123	122	117	113	108	103	89	80	79	70	67	55	50	42	38	
SVM 285/32	10	7.5		194	179	175	168	167	160	160	152	148	142	133	118	105	105	92	90	75	66	58	53	

SVM 285 - MATERIAL LIST



MATERIAL LIST			
NO.	JDE Code	Part Name	Material
1	A*	Shaft	Stainless steel (AISI 304)
2	100611841200600	Coupling	Stainless steel (AISI 304)
3	197611640000609	Support	Stainless steel (AISI 304)
4	100610444120609	Body	Stainless steel (AISI 304 - AISI 430)
5	100411244120709	Impeller	Polycarbonate
6	100410844120709	Diffuser	Noryl
7	100613640000709	Bearing Housing	Resin
8	100613840000709	Bearing	Resin
9	100614240024709	Bushing	Polycarbonate
10	100614042012600	Bushing	Stainless steel (AISI 316)

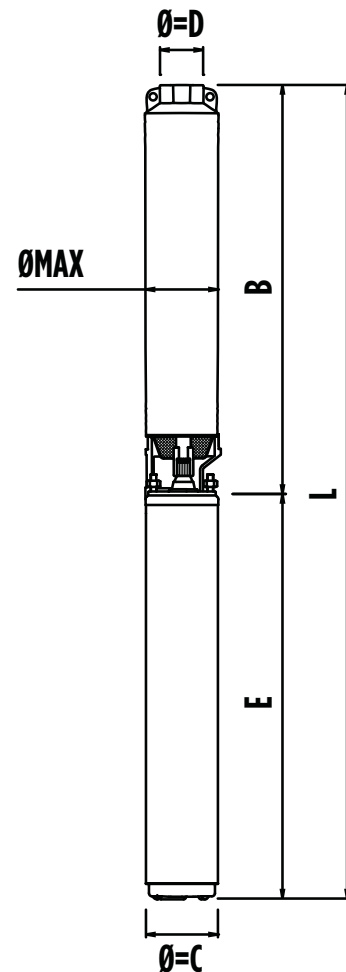
MATERIAL LIST			
NO.	JDE Code	Part Name	Material
11	100615840000600	Screw	Stainless steel (AISI 304)
12	100616040000600	Washer	Stainless steel (AISI 316)
13	197611042001609	Discharge 2" 11 TPI	Stainless steel (AISI 304)
14	100615040000609	Check valve disc	Stainless steel (AISI 304)
15	100612640000600	Check valve ring	Stainless steel (AISI 420)
16	100615640000700	Check valve ring O-ring	Rubber
17	100614940000600	Check valve snap ring	Stainless steel (AISI 304)
18	A*	Housing	Stainless steel (AISI 304)
19	100612840000609	Strainer	Stainless steel (AISI 304)
20	A*	Cable guard	Stainless steel (AISI 304)

SVM 400 - DIMENSIONS

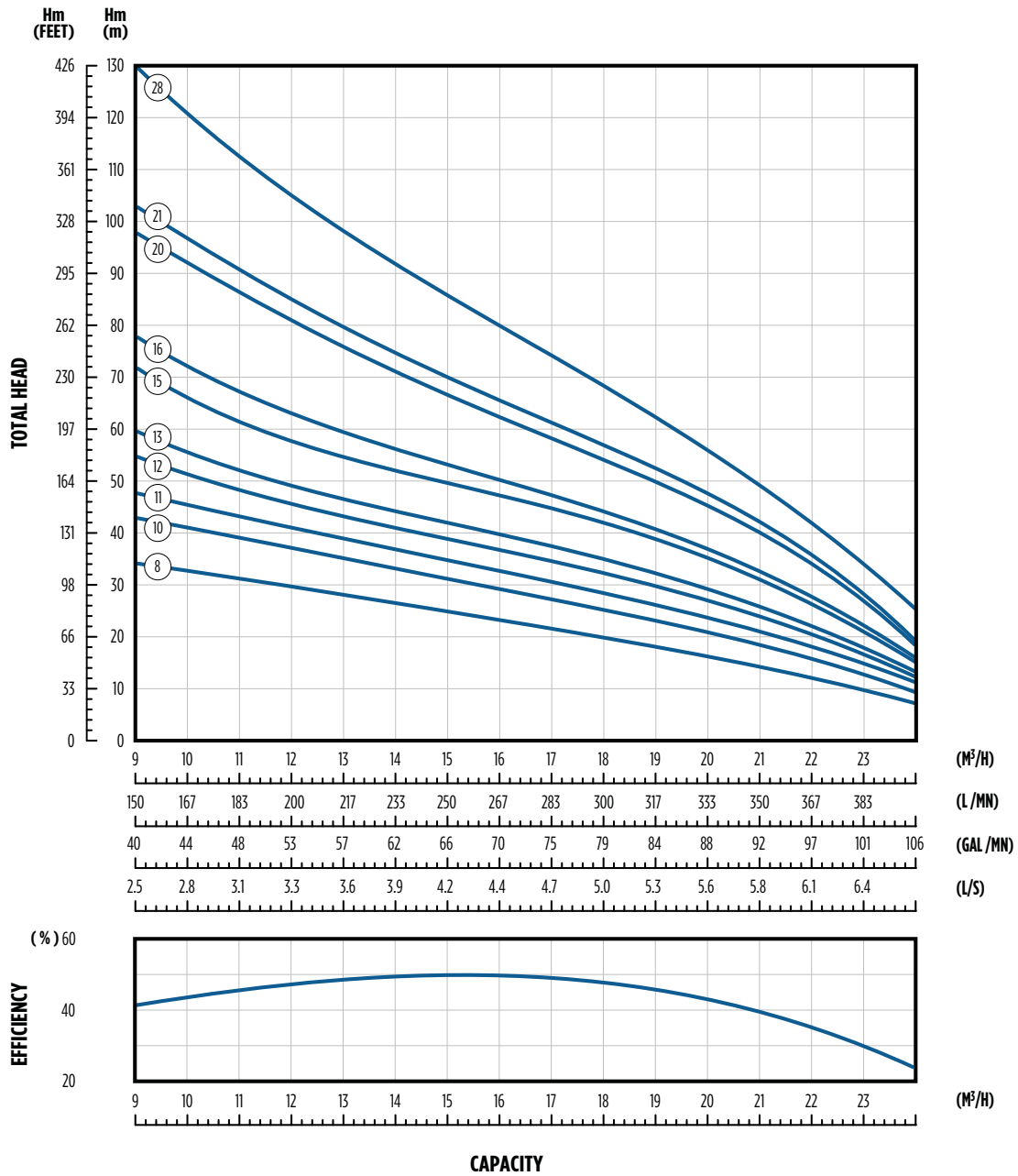
PUMP TYPE	MOTOR		DIMENSIONS (mm)								WEIGHT (kg)				
			1-	3-	1-	3-				1-	3-		1-	3-	
	HP	Kw	L	L	E	E	B	$\varnothing = C$	$\varnothing = D$	$\varnothing = MAX$	Motor		Pump	Total	Total
SVM 400/08	3	2.2	1195	1175	509	489	686	93	2	95	14.7	13.9	5.4	20.1	19.3
SVM 400/10	4	3	-	1381	-	548	833	93	2	95	-	17.6	6.4	-	24
SVM 400/11	4	3	-	1455	-	548	907	93	2	95	-	17.6	6.9	-	24.5
SVM 400/12	4	3	-	1529	-	548	981	93	2	95	-	17.6	7.4	-	25.0
SVM 400/13	5	3.7	-	1672	-	618	1054	93	2	95	-	20.9	8	-	28.9
SVM 400/15	5.5	4	-	1820	-	618	1202	93	2	95	-	20.9	9	-	29.9
SVM 400/16	5.5	4	-	1894	-	618	1276	93	2	95	-	20.9	9.5	-	30.4
SVM 400/20	7.5	5.5	-	2258	-	688	1570	93	2	95	-	24	11.6	-	35.6
SVM 400/21	7.5	5.5	-	2332	-	688	1644	93	2	95	-	24	12.1	-	36.1
SVM 400/28	10	7.5	-	2927	-	768	2159	93	2	95	-	28	15.8	-	43.8

SVM 400 - ORDERING INFORMATION

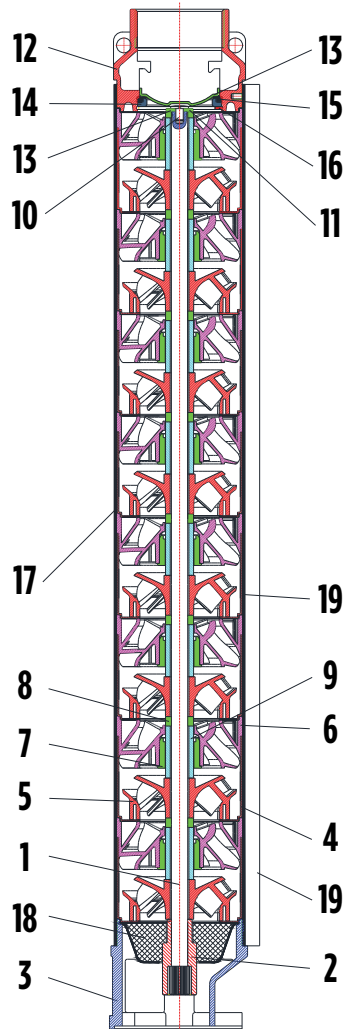
LPM	HP	Kw	Stages	Model Description	Order No.
400	3	2.2	8	400FM3S4-08-PEXB	95810508
	4	3	10	400FM4S4-10-PEXB	95810510
	4	3	11	400FM4S4-11-PEXB	95810511
	4	3	12	400FM4S4-12-PEXB	95810512
	5	3.7	13	400FM5S4-13-PEXB	95810513
	5.5	4	15	400FM6S4-15-PEXB	95810515
	5.5	4	16	400FM6S4-16-PEXB	95810516
	7.5	5.5	20	400FM7S4-20-PEXB	95810520
	7.5	5.5	21	400FM7S4-21-PEXB	95810521
	10	7.5	28	400FM10S4-28-PEXB	95810528



SVM 400 - PERFORMANCE CURVE



Pump Type	Motor		gpm	0	39.6	44.0	48.4	52.8	57.2	61.6	66.1	70.5	74.9	79.3	83.7	88.1	92.5	96.9	101.3	105.7
	HP	Kw	l/s	0	2.50	2.78	3.06	3	3.61	3.89	4.2	4.44	4.72	5.00	5.28	5.56	5.83	6.11	6.39	6.7
			m³/h	0	9.0	10	11	12	13	14	15.0	16	17.0	18.0	19.0	20	21	22	23	24.0
SVM 400/08	3	2.2	Head In Meters (m)	46	34	33	31	30	28	26	25	23	22	20	18	16	14	12	10	7
SVM 400/10	4	3		57	43	41	39	37	35	33	32	29	27	25	23	21	18	16	13	9
SVM 400/11	4	3		63	48	45	43	41	39	37	35	33	30	28	26	24	21	18	15	11
SVM 400/12	4	3		69	55	51	48	46	43	41	39	37	34	32	30	27	24	20	17	12
SVM 400/13	5	3.7		75	60	55	52	49	47	44	42	40	37	35	32	29	26	22	18	13
SVM 400/15	5.5	4		87	72	66	61	58	55	52	49	47	45	42	39	35	31	26	21	15
SVM 400/16	5.5	4		95	78	72	67	63	60	56	53	50	47	44	41	37	33	27	22	16
SVM 400/20	7.5	5.5		121	98	92	86	81	76	71	67	62	58	54	50	45	40	34	27	18
SVM 400/21	7.5	5.5		127	103	97	90	85	80	75	70	65	61	57	53	47	42	36	28	19
SVM 400/28	10	7.5		165	130	121	112	105	98	92	86	80	74	68	62	56	49	42	34	25

SVM 400 - MATERIAL LIST


MATERIAL LIST			
NO.	JDE Code	Part Name	Material
1	A*	Shaft	Stainless steel (AISI 304)
2	100611841200600	Coupling	Stainless steel (AISI 304)
3	197611640000609	Support	Stainless steel (AISI 304)
4	100610444150609	Body	Stainless steel (AISI 304 - AISI 430)
5	100411244150709	Impeller	Polycarbonate
6	100410844150709	Diffuser	Noryl
7	100614444150709	Bearing	Resin
8	100614240006709	Bushing	Polycarbonate
9	100614043512600	Bushing	Stainless steel (AISI 316)
10	100615840000600	Screw	Stainless steel (AISI 304)

MATERIAL LIST			
NO.	JDE Code	Part Name	Material
11	100616040000600	Washer	Stainless steel (AISI 316)
12	197611042001609	Discharge 2" 11 TPI	Stainless steel (AISI 304)
13	100615040000609	Check valve disc	Stainless steel (AISI 304)
14	100612640000600	Check valve ring	Stainless steel (AISI 420)
15	100615640000700	Check valve ring O-ring	Rubber
16	100614940000600	Check valve snap ring	Stainless steel (AISI 304)
17	A*	Housing	Stainless steel (AISI 304)
18	100612840000609	Strainer	Stainless steel (AISI 304)
19	A*	Cable guard	Stainless steel (AISI 304)

ASEAN, Taiwan, Pakistan, Bangladesh, Sri Lanka

Franklin Electric (SEA) Pte. Ltd.
17 Changi Business Park Central 1
06-05, Honeywell Building
Singapore 486 073

Phone: +65.6789.6865
E-mail: fesea@fele.com

