

Dimensions

MODEL	A	B	C
0.55	195	170	370
0.75	195	170	395
1.1	195	170	395
1.5	201	190	465
2.2	225	190	470

Application

- ◆ Wastewater drainage in factories, construction sites and commercial facilities
- ◆ Drainage system in municipal sewage treatment plants
- ◆ Drainage station in residential quarters
- ◆ Municipal projects
- ◆ Methane pools and field irrigation in countryside

Pump

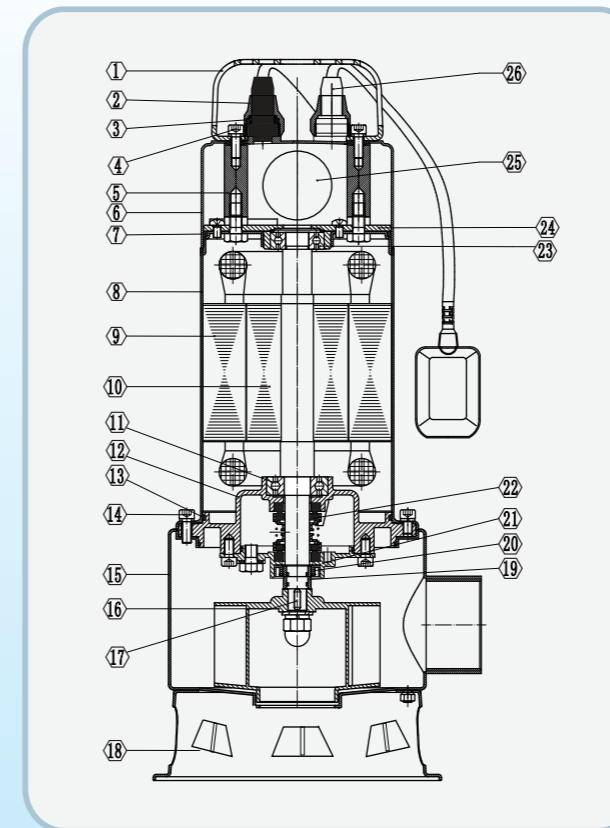
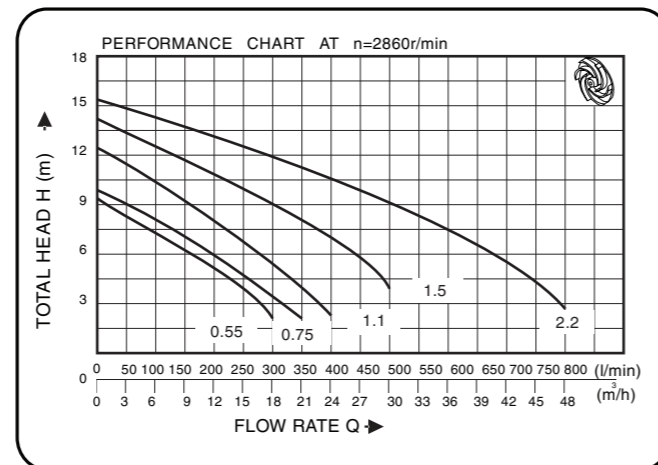
- ◆ Max: immersion depth: 5m
- ◆ Max: liquid temperature: +40°C
- ◆ Liquid PH value: 5-9
- ◆ Liquid kinematic viscosity: $7 \times 10^{-6} \sim 23 \times 10^{-6} \text{m}^2/\text{s}$
- ◆ Max. liquid density: $1.2 \times 10^3 \text{kg}/\text{m}^3$

Motor

- ◆ Copper winding
- ◆ Built-in thermal protector
- ◆ Stainless steel welded shaft
- ◆ Insulation class :B
- ◆ Protection class:IPX8

Technical Table

Type		Power (kw)	Outlet Diameter (mm)	Max. Flow (l/min)	Max. Head (m)	Max. Diameter of Particle (mm)	G.W. (kg)	Dimensions (cm)
Single phase 220-240V-50Hz	Three phase 380-415V-50Hz							
VSm 0.55F	VS 0.55	0.55	40	300	9.5	32	14	18X24X39
VSm 0.75F	VS 0.75	0.75	40	350	10	32	15	18X24X42
VSm 1.1F	VS 1.1	1.1	40	400	12.5	32	16	18X24X42
VSm 1.5F	VS 1.5	1.5	50	500	14	40	19	20X24X48
VSm 2.2F	VS 2.2	2.2	80	800	15.5	50	21	20X24X48



NO.	NAME	MATERIAL/SPEC.
1	Handel	AISI304
2	Nut	AISI304
3	Gasket	AISI304
4	Screw	AISI304
5	Connection	AISI304
6	Capacitor cover	NBR
7	O Ring	AISI304
8	Motor Cover	AISI304
9	Motor	Copper winding
10	Rotor	45#Carbon steel&2Cr13 Stainless
11	Bearing	
12	Oil cylinder	AISI 304
13	O Ring	NBR
14	Screw	AISI 304
15	Pump Body	AISI 304
16	Impeller	AISI 304
17	Key	AISI 304
18	Base Plate	AISI 304
19	Sprayed porcelain bushing	
20	Oil Seal	
21	Oil cylinder cover	Stainless steel
22	Mechanical seal	
23	Bearing	
24	Upper Cover	ZL102
25	Capacitor	
26	Float Switch(optional)	